



INSPECTION:

1. Ensure the safety retractable locks when the lifeline is pulled sharply, with no slippage, lock-up should be positive.
2. Labels must be present and fully legible.
3. Check the connecting hooks or carabiners for damage, distortion, or corrosion, and working condition.
4. Check the housing for distortion, cracks, or other damage and make sure anchorage point is not distorted or damaged.
5. Inspect each component of the personal fall protection system according to the manufactures instructions.
6. The lifeline must fully extend and retract smoothly with no hesitation or slack on the line.
7. Check the lifeline for cuts, bums, chemical damage, abrasions, loose strands, or corrosion, the lifeline must not be damaged.
8. Check for loose or missing screws and bent or damaged parts.

ULTRA-SAFE Safety retractable's are not required a yearly inspection. If inspection reveals an unsafe or defective condition, remove the safety retractable lanyard from service and contact an authorized service station for repair. ONLY ULTRA-SAFE or authorized parties in writing may make repairs to the equipment.

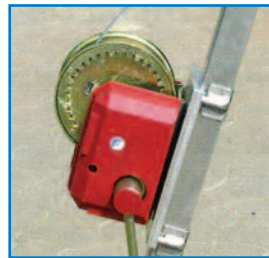
WARNING!

Training must be conducted without exposing the trainee to a fall hazard. Training must be repeated periodically. If the safety retractable lanyard has been subjected to a fall arrest it must be removed from service and returned to an authorized service repair station. Do not alter or intentionally misuse this equipment, use caution when using this equipment around electrical hazards, moving machinery, chemical hazards, and sharp edges. This product is part of a personal fall arrest system, the user must read, understand and follow the manufacturers instructions for each component. Instructions must be followed for proper use and maintenance, failure to follow these instructions may result in serious injury or death.

MAINTENANCE:

Clean the lifeline with water and a mild detergent, rinse thoroughly and air dry, periodically clean the exterior and position the safety retractable so water can drain out, clean labels. An excessive build-up of dirt or other contaminants may prevent the retractable from operating properly or from fully retracting causing a potential free fall hazard. Store the safety retractable in a cool, dry, and clean environment, avoid storing in areas where chemical vapors exist, or direct sunlight.

Load winch US-HMH65 (material handling only)



The hand-crank rope winch is particularly suitable for easy and jolt-free lifting and lowering of diverse loads. The maximum nominal load is 550 lbs. Galvanized steel rope, rope length max. 65 feet at 3/16", weight 15.4 lbs.

Mounting for US-HRA65 and US-HRA100

Part # US-HRA65B, US-HRA100B



Fast-change mounting for attaching Ultra-Safe HRA fall protection equipment, suitable for attachment to all Ultra-Safe tripods, weight approximately 4 lbs. (HRA device up to 65 ft. cable length)

Mounting for US-HRA150

Part # US-HRA150B



Mounting for attaching HRA fall protection equipment with 100/150 foot cable length suitable for attachment to Ultra-Safe tripods.

Top Block Assembly for US1-5000.

Part # US1-5000PA



Stable, smooth running deflection roller for 3/16" steel rope, is supplied with carabiner hook. Rustproof and corrosion-resistant stainless steel version, included steel carabiner Weight approx. 2.4 lbs.



OWNERS MANUAL

MODEL: US1-5000, US-HRA65,
US-HRA100, US-HRA150,
DESCRIPTION: Tripod and Retrieval /
Retractable Lifeline

1-800-850-5914

PHOENIX, ARIZONA USA

WWW.ULTRASAFEUSA.COM

Users instruction manual should be used as part of an employee training program as required by OSHA and is intended to meet the manufacturers instructions as required by ANSI Z359.1

WARNING!

This product is part of a personal fall arrest system. The user must read and follow the manufacturers instructions for each component of the system. These instructions must be provided to the user of this product. The user must read and understand these instructions before using this product. Manufactures instructions must be followed for proper use and maintenance of this product. Alteration or misuse of this product, or failure to follow instructions may result in serious injury or death.

ANCHORAGE: The anchorage to witch this product is attached must be capable of sustaining a static loads in the direction applied by the personal fall arrest system of at least 3600 lbs. With certification of a qualified person, or 5000 lbs. without certification. When more than one personal fall arrest system is attached to the same structure, the strength requirements stated above must be multiplied by the number of personal arrest systems attached to the structure.

PLAN: Your personal fall protection system before installing and using this equipment. Consider all factors affecting your safety during use of this equipment.

FREE FALL: Ensure adequate clearance exist in your fall path to prevent striking an object. When the safety retractable is anchored above, a minimum of 6 ft. from the working level to the lower level or nearest obstruction is recommended, if anchored at feet level an additional 4 ft. Clearance is needed. Avoid working where your lifeline may cross or tangle with that of another worker. Do not allow the lifeline to pass under your arms or between your feet, never clip, knot, or otherwise prevent the lifeline from retracting.

BEFORE EACH USE: inspect all your personal fall protection equipment before each use, OSHA 1910.66 and 1926.502 and ANSI Z359.1 requires an inspection before each use, ANSI requires a formal inspection of fall protection equipment be completed by a competent person other than the user, more frequent inspections by a competent person may be required based on the severity of the workplace conditions.

ULTRA-SAFE equipment is design for use with only ULTRA-SAFE approved components and sub systems. Substitutions or replacements made with non-approved components or subsystems may jeopardize compatibility of equipment and may effect the safety and reliability of a complete system. Personal fall arrest systems must meet applicable local, state, and federal OSHA requirements. Connectors (hooks. Carabiners, and D-Rings) must be capable of supporting at least 5000 lbs. Do not use equipment that is not compatible with the anchorage or other system components. Connectors must be compatible in size, shape, and strength, self locking snap hooks and carabiners are required by ANSI Z359.1 and OSHA USER INSTRUCTION MANUAL

The ULTRA-SAFE aluminum tripod requirements corresponding to DIN EN 360/1496, this unit is part of a system that is used with HRA series Retractable / Retrieval units and can be used for a maximum of 2 persons only. The HRA series of lifelines are a personal fall protection equipment intended to secure an expose fall risk, in combination with a full body harness. The device may ONLY be used for the intended purpose. Read and follow all instructions before using this system.

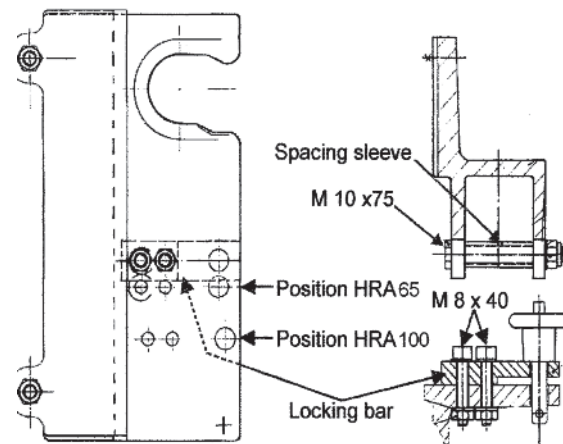
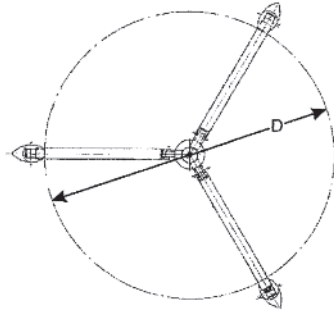
ULTRA-SAFE safety retractable's are certified in accordance with CE by the test and certification body of the Personal Safety Equipment, technical committee. The functional capability of the retractable's is guaranteed by testing them in extreme situations (e.g.. Cold, heat, and moisture)



OPERATING DEVICE:

1. Stand up the tripod, unfold legs outward carefully aligning the tripod vertically.
2. Rotate the star-grip nut on top with the cone shape washer downward and lock the tripod in place.
3. To adjust the extendable legs to the required height, unlock and pull the push-pins and and reinsert pin, when corresponding height is achieved, repeat procedure for the 2 remaining legs.
4. Once erected, align the tripod evenly so that it stands in a safe position, the feet are adjustable, flat position for hard and stable ground, vertical tip position for softer ground.
5. The HRA mounting bracket attached to the leg incorporates the Retractable / Retrieval device.
6. Mount the HRA to the bracket to enable the worker to operate the HRA handle properly, the clamping force is obtained through the length (1 13/16 inches) of the spacing sleeves.
7. Torque the screw M10 bolt to 65 lbs., the locking bar must be positioned according to the HRA size, the torque for belt M8 bolt to 55 lbs., insert the HRA and secure with locking pin.

Minimum installation diameter D = 3' - 6"
Maximum installation diameter D = 6' - 0"

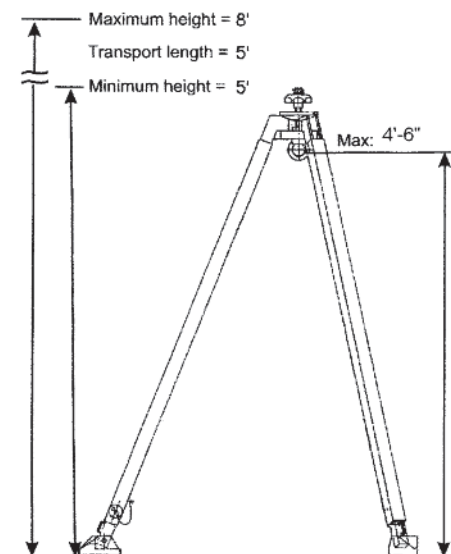


The ULTRA-SAFE safety retractable's fulfill the requirements corresponding to DIN EN 360/1496 The HRA series of lifelines are a personal fall protection equipment intended to secure an expose fall risk, in combination with a full body harness. The device may ONLY be used for the intended purpose. Read and follow all instructions before using this system.

All ULTRA-SAFE safety retractable's are tested in accordance with the requirements based on DIN EN 360/1496 and have the requisite test approvals.

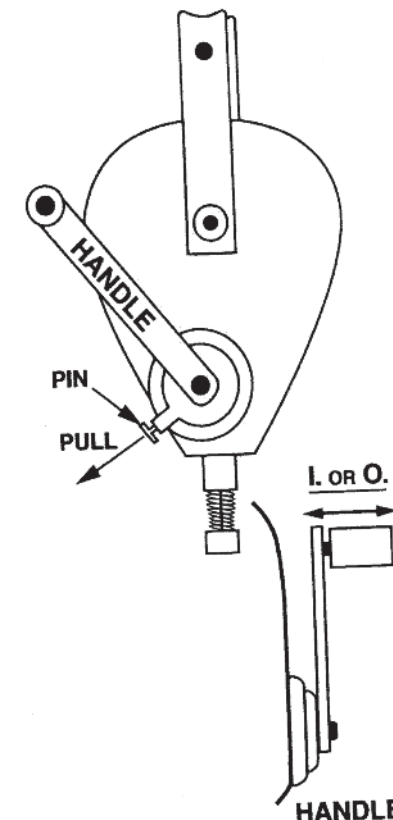
ULTRA-SAFE safety retractable's are certified in accordance with CE by the test and certification body of the Personal Safety Equipment, technical committee. The functional capability of the retractable's is guaranteed by testing them in extreme situations (e.g.. Cold, heat, and moisture)

Note: Bottom chain assembly on legs not required.



OPERATING DEVICE:

1. Retractable mode is usually set from the factory, the locking pin is pushed inward and engaged, the wire rope moves freely out and in.
2. Retrieval mode. Unfold the crank handle.
3. Pull out the locking pin, until the crank handle axis pops out audibly and visibly.
4. Rotate the crank handle back and forth until gear has engaged. The locking pin jumps back into its initial position.
5. The RETRIEVAL mode is engaged.
6. Returning to retract mode, simply reverse the procedure, by pulling the locking pin and pushing the crank handle inward until the gear engages.
7. Set and fold crank handle and wrap velcro to keep handle from any movement.



WARNING!

Training must be conducted without exposing the trainee to a fall hazard. Training must be repeated periodically. If the safety retractable lanyard has been subjected to a fall arrest it must be removed from service and returned to an authorized service repair station. Do not alter or intentionally misuse this equipment, use caution when using this equipment around electrical hazards, moving machinery, chemical hazards, and sharp edges. This product is part of a personal fall arrest system, the user must read, understand and follow the manufacturers instructions for each component. Instructions must be followed for proper use and maintenance, failure to follow these instructions may result in serious injury or death.

NOTE: Large throat opening snap hooks should not be connected to standard size D-Rings or similar objects which will result in a load on the gate if the hook or D-Ring rotates or twist. Large throat snap hooks are designed for use on fixed structural elements such as cross members or rebar that are not shaped in a way that can capture the gate of the hook.

FALL: After a fall, equipment which has been subjected to fall arrest forces MUST be removed from service for inspection. Inspect the entire safety retractable lanyard such as the load / impact indicator on web style find the fold on the web to see if the stitching is broken and the fold torn apart or for wire style check the swivel snap hook to see if the RED indicator was engaged, the safety retractable lanyard must be removed from service and returned to an authorized service station for repair, do not re-stitch or repair.

CAPACITY: 75-400 lbs. (one user ONLY)
MAXIMUM ARRESTING FORCE: 900 lbs.
MAXIMUM ARRESTING DISTANCE: 54 inches
WORKING RANGE: 2.5 ft. To * ft. * (depending on the model used, can go to 150 ft.)

MATERIAL:
Housing: aluminum
Drum: aluminum
Internal components: steel / aluminum
Lifeline: 3/16 inch galvanized wire rope.
Internal shock absorbing mechanism: disk brake